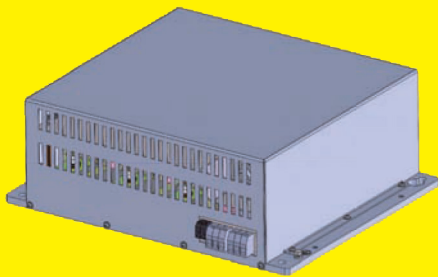




**?** **Problems**  
with temperature rise, the scale or with common mode share of the whole filter system?

 **Our Solution:**




**3AC filter for feed in and regenerating recovery systems (active front)**

variable EMV-categories to EN61800-3

- + All-in-one-filter possible with X- and Y-capacitor
- + Filter concepts to meet the requirements of C1 or C2

If you have any further questions don't hesitate to contact us.  
Just give us a call – we'd be glad to advise you!

Phone +49(0)8721-9662-0

 **Get the Power.  
Turn it on.**



Transformatoren und Gerätebau

# 3AC filter for feed in and regenerating recovery systems (active front)

## variable EMV-categories to EN61800-3



quiet



compact



lighter



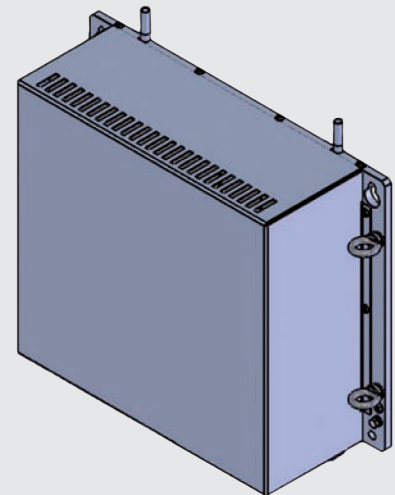
more efficient



reduced price

## Advantages at a glance

- + Longer working life of the motors and the spindle
- + Low-noise inductance due to specific design
- + Minimization of the voltage load on the motor winding
- + All-in-one-filter reduces the customer's internal wiring effort



rated current: up to 2500 A

power range: 10 kW – 1500 kW

cooling type: natural convection, forced cooling or liquid cooling



Customised filter solutions for higher requirements according to EN61800-3 part 3 & best support in the improvement of the components.

UL-approval of regenerative 3-phase line filters on request.

Get the Power.  
Turn it on.