



Transformatoren und Gerätebau



Not only  
black & white

customer-specific production

# LCL Filters

are used to connect AIC and AFE drives to the mains

- + Supply voltage: 3x 200 – 3x 690V
- + Frequency: 16 2/3 – 1500 Hz
- + Power range: 5 – 2000 A
- + Max. ambient temperature: -10°C to 85 °C  
(optional liquid cooled or active air cooling)
- + Degree of protection: IP00-IP65
- + Connections: 5 A – 63 A Screw terminals, finger-safe according to BGV A3  
> 63 A Terminal lugs
- + Elementary frequency: 2 – 80 kHz
- + Insulation class: F or H
- + Intermediate circuit voltage: 540 V DC – 1300 V DC
- + According to EN61558-2-20



compact



lighter



more efficient

If you have any further questions don't hesitate to contact us.  
Just give us a call – we'd be glad to advise you!

Phone +49(0)8721-9662-0

Get the Power.  
Turn it on.

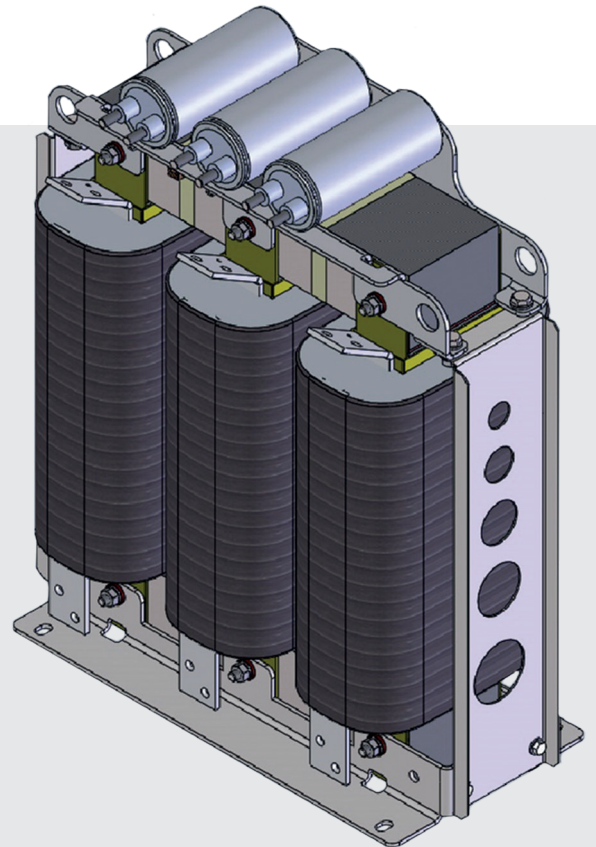


Transformatoren und Gerätebau

# LCL filters are used to connect AIC (active infeed converter) and AFE (active front end) drives to the mains

## Advantages at a glance

- + Due to the increasing use of AFE / AIC, more LCL filters are needed. It can also be run as an LC filter.
- + The LCL filters are also of interest for projects in the DC-AC product range, which feed electric energy from wind generators or PV inverters into the grid.
- + Applications of regenerative AFE drives are lifts, cranes or similar transport systems, tools or other machines with many brake switching cycles and presses.



**compact**



**lighter**



**more efficient**



**reduced price**

If you have any further questions don't hesitate to contact us.  
Just give us a call – we'd be glad to advise you!

Phone +49(0)8721-9662-0

Get the Power.  
Turn it on.